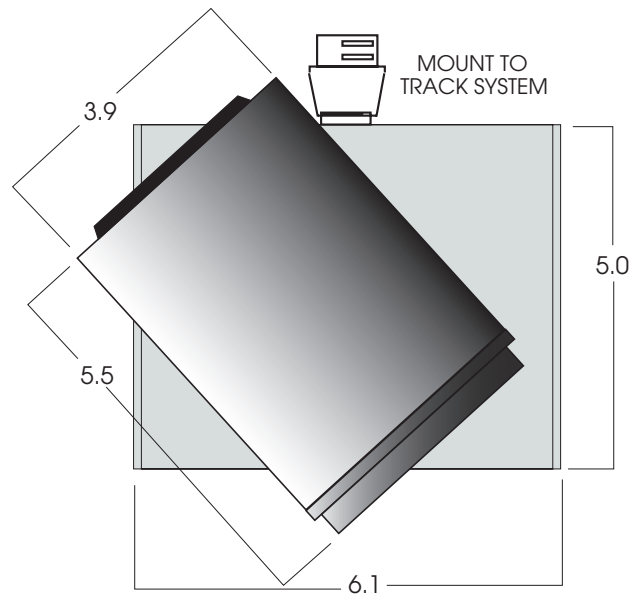


**SPEC TRAK SERIES
MODULAR METAL HALIDE**
T6 150 WATT MAXIMUM



PRODUCT INFORMATION:

- SPECTRUM Lighting's "Spec Trak" Metal Halide track series features the latest in lamp/ballast/reflector technology.
- Sleek design fits into any environment.
- Designed for T6 lamps. Lamp base G12.
- Energy-efficient ballast.
- Interchangeable reflectors and lenses.
- Wide choice of track adaptors.
- UL Listed.



- Interchangeable reflectors allow on-site modifications to the distribution of light.
- Lenses are easily changed.
- Compact fixture with compact ballast compartment (mini ballast)

MODEL	WATTS	BALLAST	LAMPS	REFLECTOR	LENS	FINISH	ADAPTOR
STX6MH- Spec Trak Series, 6" Metal Halide	39 70 100 150	E1 -Electronic, 120v E2 -Electronic, 277v	T6	ND -12° Spot MD -24° Narrow Flood WD -38° Flood	GL -Tempered Glass Lens (standard) PG -Prismatic Glass Lens FG -Frosted Glass Lens SO -Micro Prism Solite™ Lens	MT -Mini Texture Silver MW -Matte White MB -Matte Black CC -Custom Color	TM3 -For Basix Track GES66 -Works with GET Track TEK100 -Works with TEK Track HTEK100 -Works with HTEK Track GA100 -Works with XTS Track GES70 -Monopoint Canopy
STX6MH	70	E1	T6	ND	GL	MT	TEK100

*Lamp Base
G12

Dimensions shown are nominal. Spectrum Lighting is continually improving products and reserves the right to make changes that will not alter performance or appearance with or without written notice.



PROJECT: _____ **TYPE:** _____

CAT. NO.: _____

